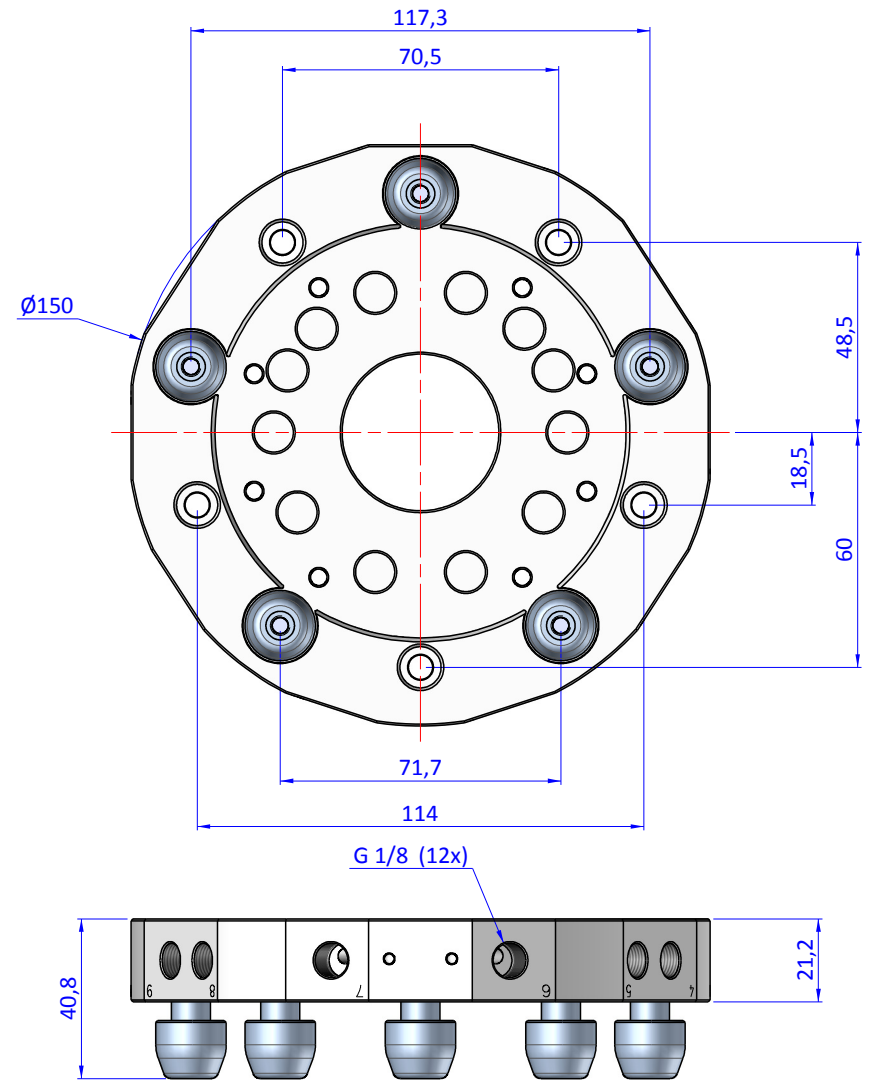
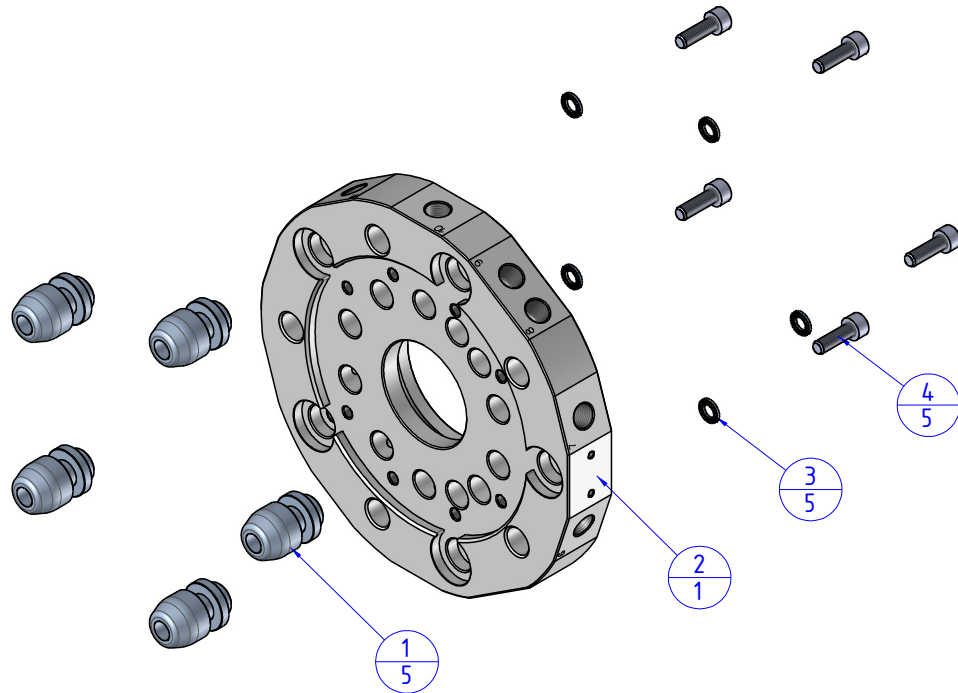



THE PROPERTY OF THE DRAWING IS ESTABLISHED BY LAW. IT IS FORBIDDEN TO PRODUCE OR SHOW IT TO THIRD PARTY, WITHOUT A WRITTEN AGREEMENT.

Item	Name	Q. ty
1	01.01.004.02	5
2	01.01.014.01	1
3	R.5.SCH	5
4	V.TCE5x16	5



Format A3

UNI 936-76

 FPS FPSERVICES AUTOMATION		DESIGNED FROM		REVIEW
		FPS Automation		A
GENERAL TOLERANCE UNI - ISO 2768 CLASSE f		DATE		WEIGHT
		01/08/2019		0,919kg
DESCRIPTION CA.01.01.014		CODE		
		CA.01.01.014		